

HLS™ 7 Series* Inactive Panel Handle Set Installation Instructions

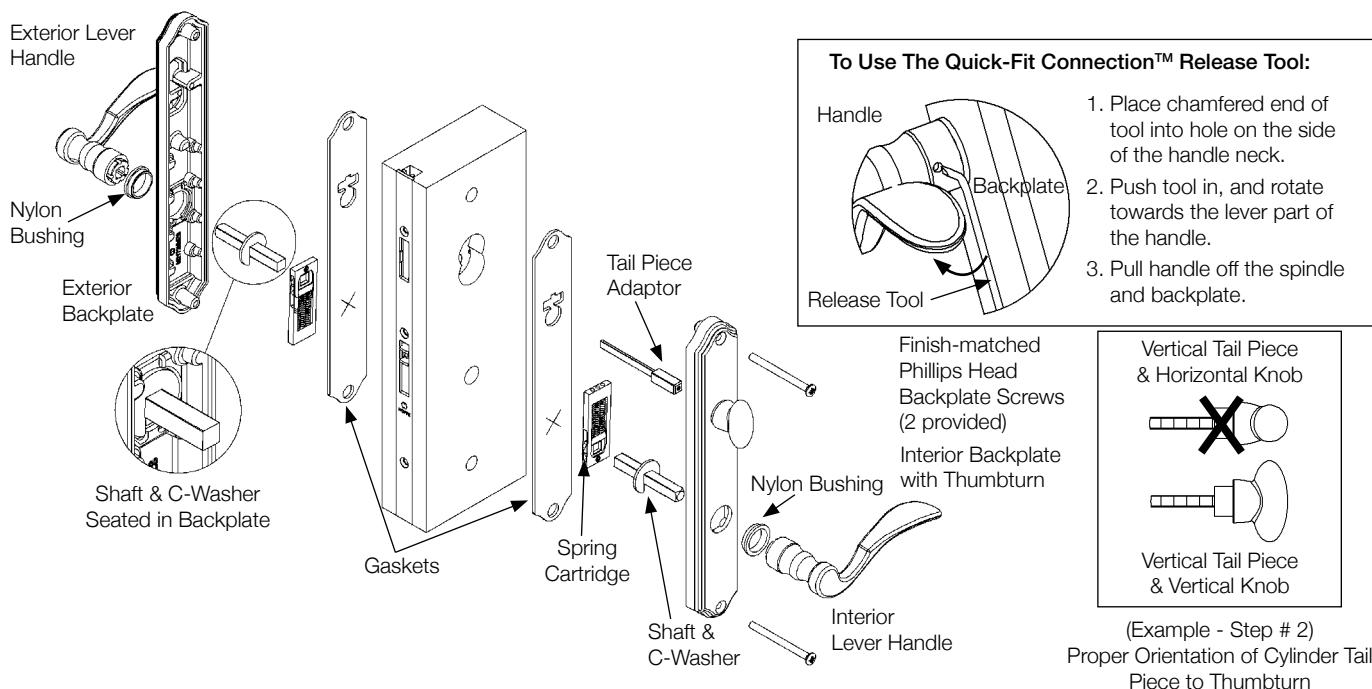
A Phillips screwdriver is required.

A Quick-Fit Connection™* release tool (for removing handles if necessary), and a construction handle are provided in the hardware package.

Use only water and a soft cloth to clean trim. Do not use brass cleaner or solvent-based cleaning agent, as it will remove the protective coating.

Note: Handles and backplates vary by style but the application is the same.

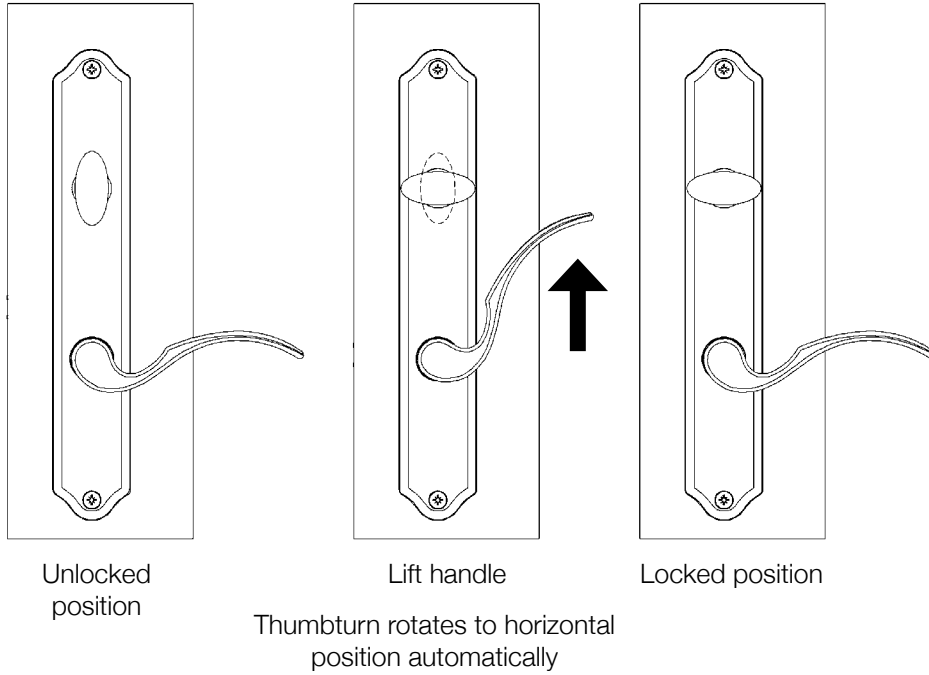
1. Remove any construction trim that was previously installed.
2. Insert tail piece with adaptor into base of thumbturn. Be sure tail piece matches the same horizontal/vertical direction of the thumbturn when inserted. See illustration below.
3. Press nylon handle bushings (2 provided) into backplates.
4. **IMPORTANT: Handle portion of shaft is identified with a chamfered end and a notch in each side edge.** Slide C-washer into groove in shaft, and pass handle portion of shaft through underside of backplate. Be certain that C-washer properly seats into backplate as shown below.
5. While holding C-washing in place, push handle onto shaft until handle stops at backplate. Properly orient direction of handle for right hand or left hand, and slide spring cartridge onto shaft until cartridge rests into backplate. For left hand handles, spring cartridge should be positioned with springs below shaft. For right hand handles, spring cartridge should be positioned with springs above shaft. Turn backplate over, and place end of shaft against a solid surface. Push handle firmly onto shaft to completely secure handle to backplate.
6. Apply gasket to underside of each backplate.
7. Apply exterior trim to door stile while aligning shaft into gear.
8. While holding exterior trim in place, apply interior trim in the same manner, also inserting tail piece through slot in gear.
9. Fasten backplates with 2 screws provided. Tighten screws with Phillips screwdriver. **DO NOT OVERTIGHTEN.**



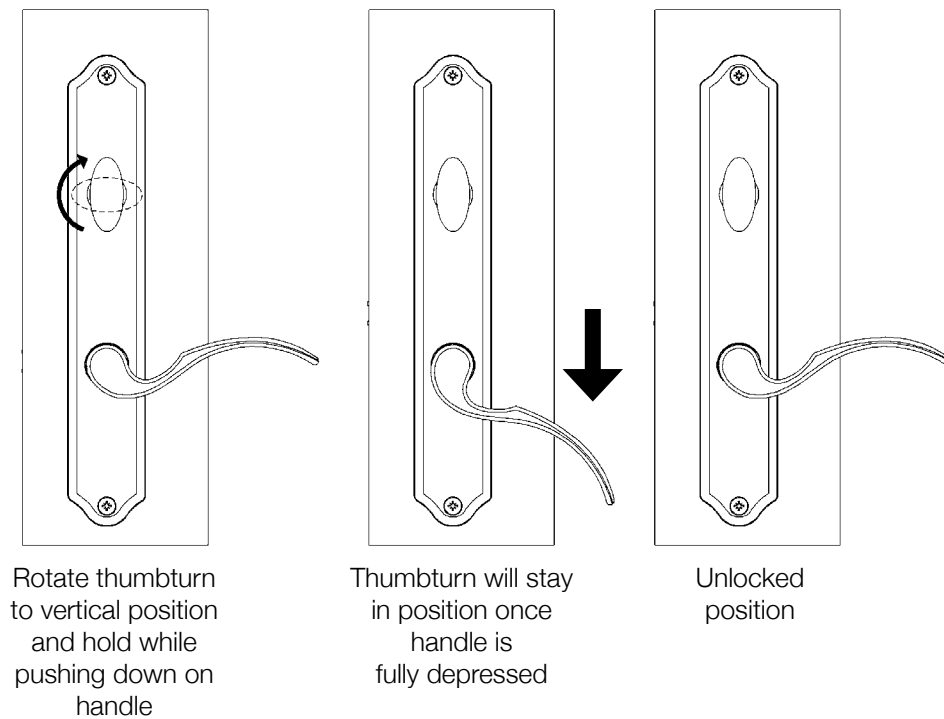
* Patent Pending

HLS™ 7 Series* Inactive Panel Operation Instructions

Inactive Gear Operating Sequence



Retraction of Inactive Gear



* Patent Pending